

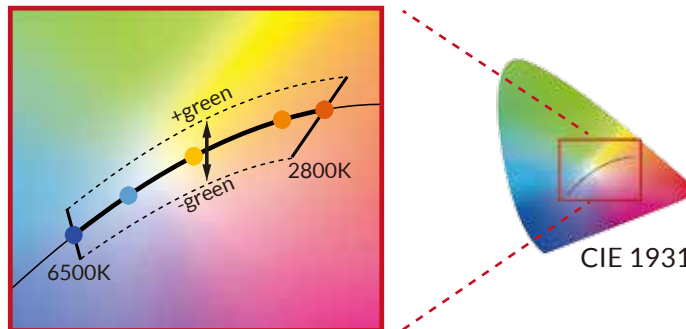
FEATURES

- Designed for DMX track (3-CH: intensity, CCT, hue)
- Dims to 0% without flicker or color shift
- 2800-6500K continuous CCT tuning
- High CRI values at every color temperature
- ± 0.25 green adjustment
- Precise color calibration for consistent quality
- 300W tungsten output (85W draw)
- Less than 8" of clearance required
- Lightweight (less than 3 lbs)
- Integrated power supply
- Optional light modifiers available

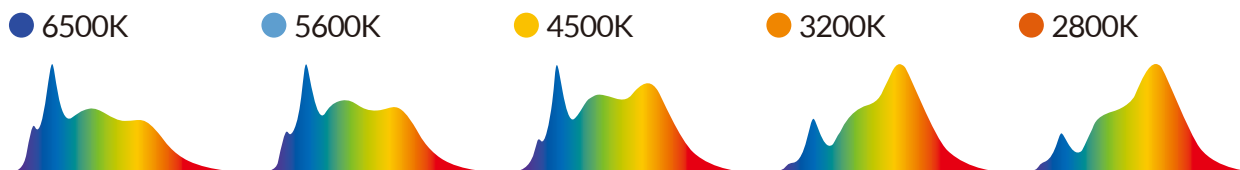


COMPREHENSIVE COLOR CALIBRATION

ensures cinema-caliber precision and light quality at all settings



MULTI-PHOSPHOR SPECTRUM for excellent color rendering

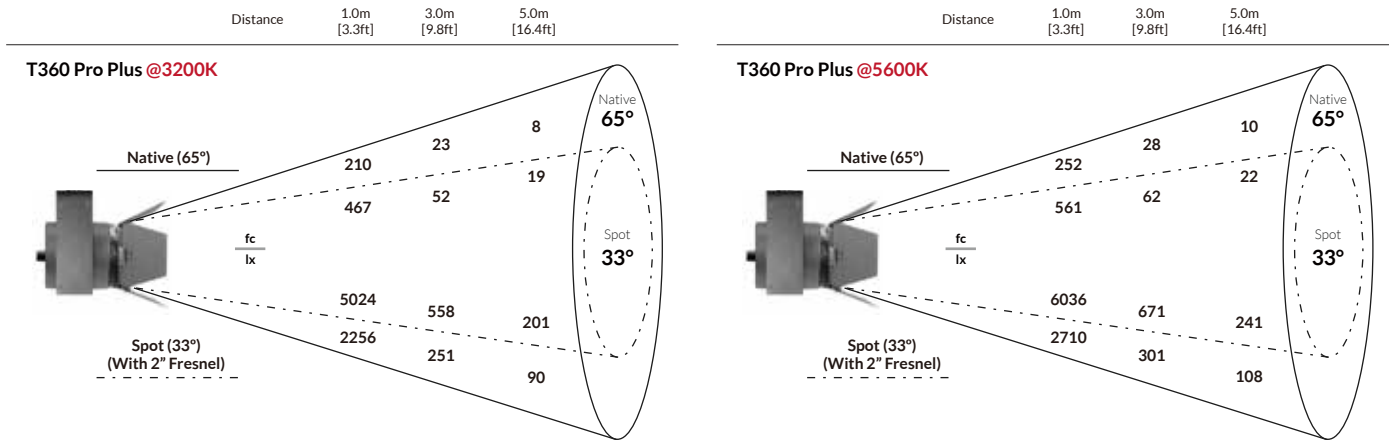


Industry-leading CRI scores on difficult color samples (R9, R12)

CCT	R1	R2	R3	R4	R5	R6	R7	R8	R9	R10	R11	R12	R13	R14	R15	CRI _{Ra} *	CRI _{Ext} *	TLCI
3200K	99	99	95	98	98	98	98	97	94	94	98	87	99	96	98	98	96	98
5600K	98	99	98	95	96	97	97	96	89	95	95	88	98	98	97	97	96	98
6500K	99	99	98	96	97	98	97	97	96	97	97	88	98	99	97	97	97	98

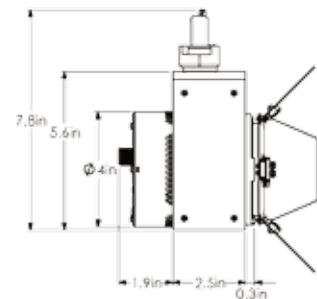
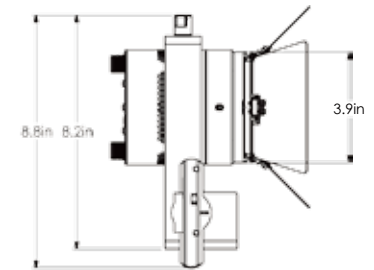
*CRI_{Ra} is the averaged result of R1 to R8; CRI_{Ext} is the averaged value of R1 to R15. Typical values shown.

PHOTOMETRIC DATA



SPECIFICATIONS

Beam Angle	65° (33° With 2" Fresnel)
CCT Range	2800 - 6500K Continuous Tuning
CRI	97 Typical
Hue	±0.25 Green
Dimming	100% - 0% Flicker Free
Light Engine	Dense Matrix LED
Power Draw	85W Max
AC Input	120V AC, 60Hz
DMX Control	3-CH (Intensity, CCT, Hue)
Display Type	OLED
Weight	2.82lbs / 1.28kg
Size (L x W x H)	8.8in x 4.7in x 7.8in / 22.4cm x 11.9cm x 19.8cm
Mount	Locking DMX Track Attachment
Thermal Design	Advanced Vapor Cooling System (Fan Cooled)
Acoustic Noise	22.7dB (Professional Recording Studio Level)
Operating Temperature	32° - 104° F / 0° - 40° C



OPTIONAL ACCESSORIES



2" Fresnel
TRA002



Snoot
TRA004



Dome Diffuser
TRA003



Honeycomb-N
TRA006N



Honeycomb-W
TRA006W



Louver
TRA005



Gel Holder
TRA007



Softbox Kit
FLXA046